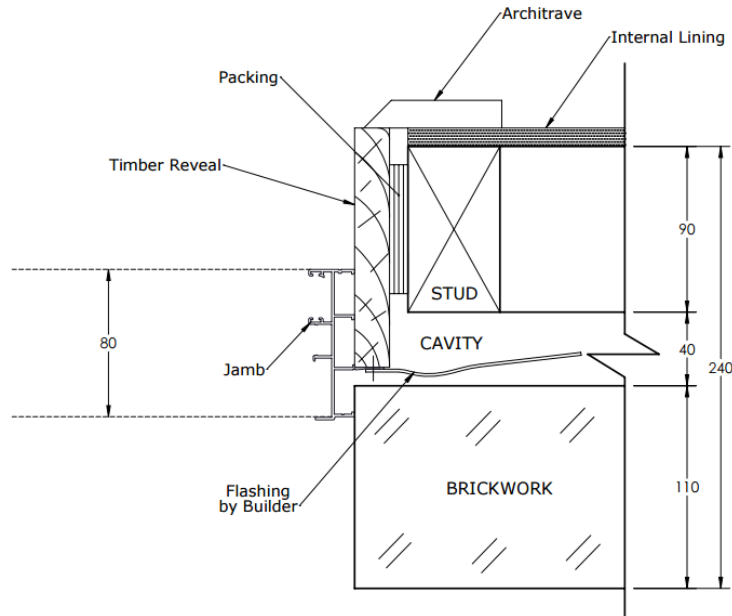
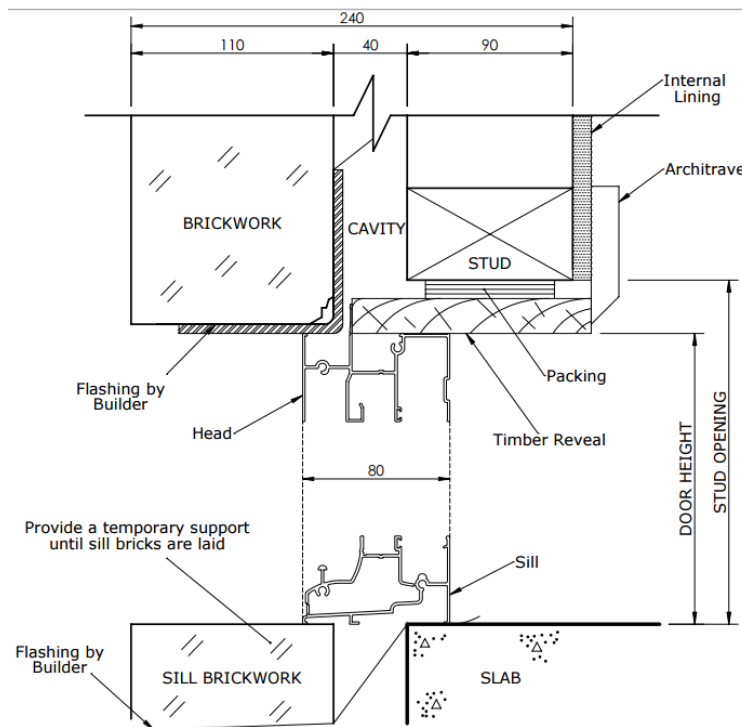


Aluminium Sliding Doors Series 100 Installation Details: Brick Veneer

TYPICAL JAMB DETAIL



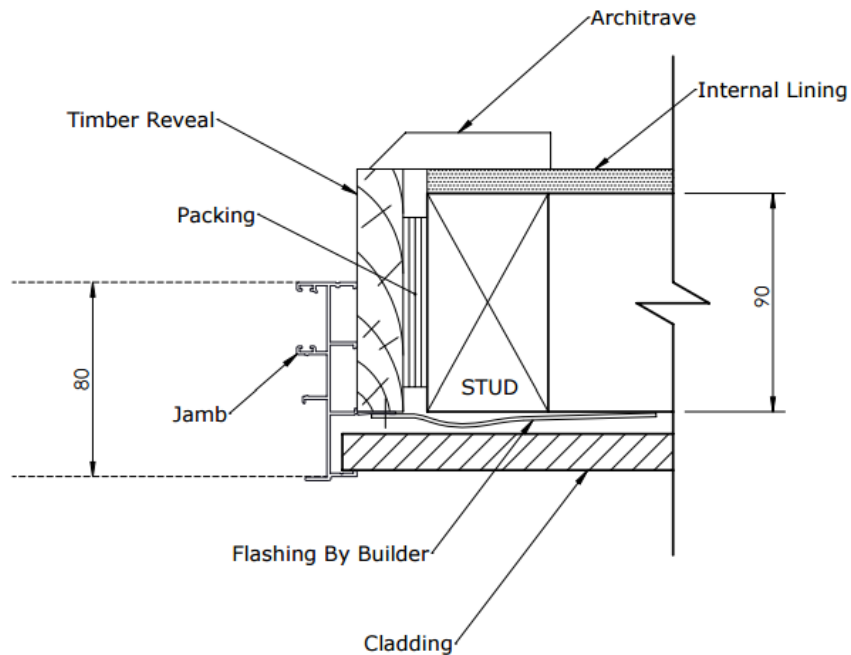
TYPICAL HEAD/SILL DETAIL



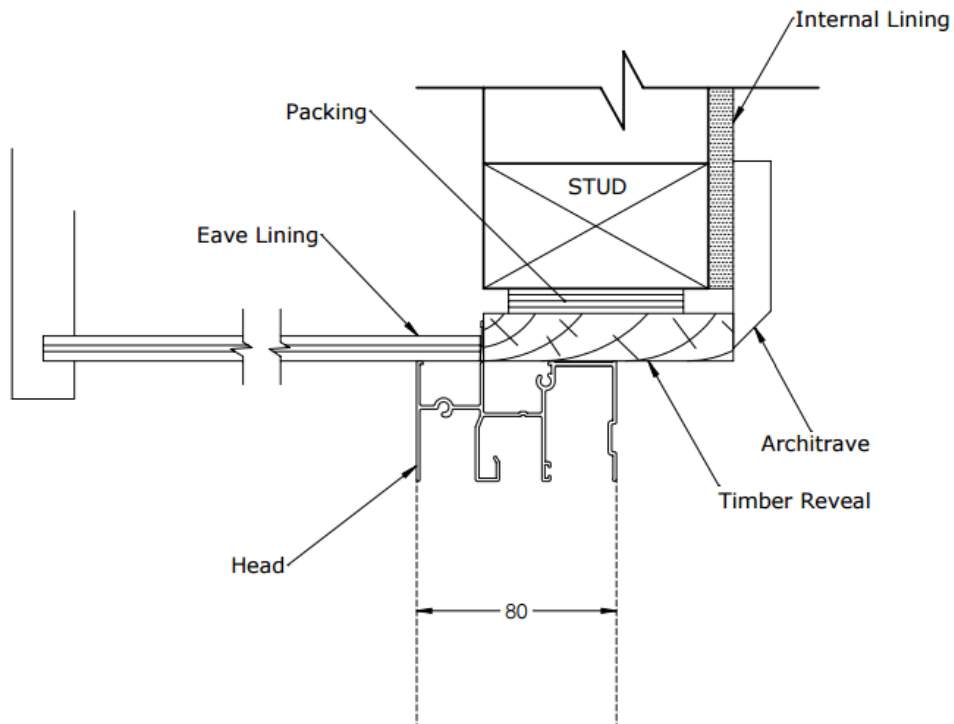
IMPORTANT: These instructions are a guide only and will provide you with diagrams installations 100 Series Aluminium Sliding Doors. ASS2047 sets out requirements for installation of windows in buildings. It is the responsibility of the installer to properly adjust windows and doors as per instructions. Also note, the rollers on the sliding panels may also need adjusting (up or down) once the door is installed – also being installer’s responsibility.

Aluminium Sliding Doors Series 100 Installation Details: Cladding

TYPICAL JAMB DETAIL

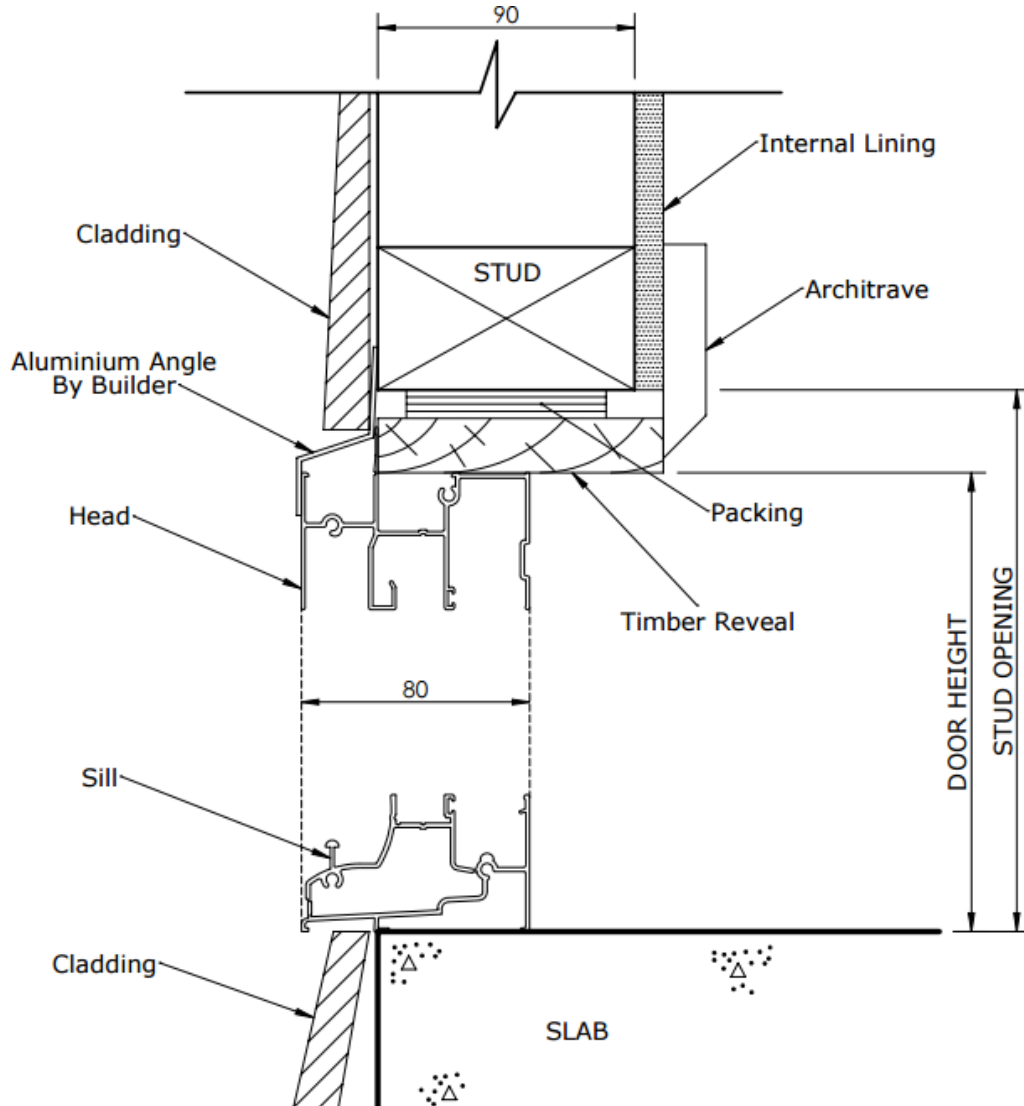


TYPICAL HEAD DETAIL (EAVES OVER DOOR)



IMPORTANT: These instructions are a guide only and will provide you with diagrams installations 100 Series Aluminium Sliding Doors. ASS2047 sets out requirements for installation of windows in buildings. It is the responsibility of the installer to properly adjust windows and doors as per instructions. Also note, the rollers on the sliding panels may also need adjusting (up or down) once the door is installed – also being installer’s responsibility.

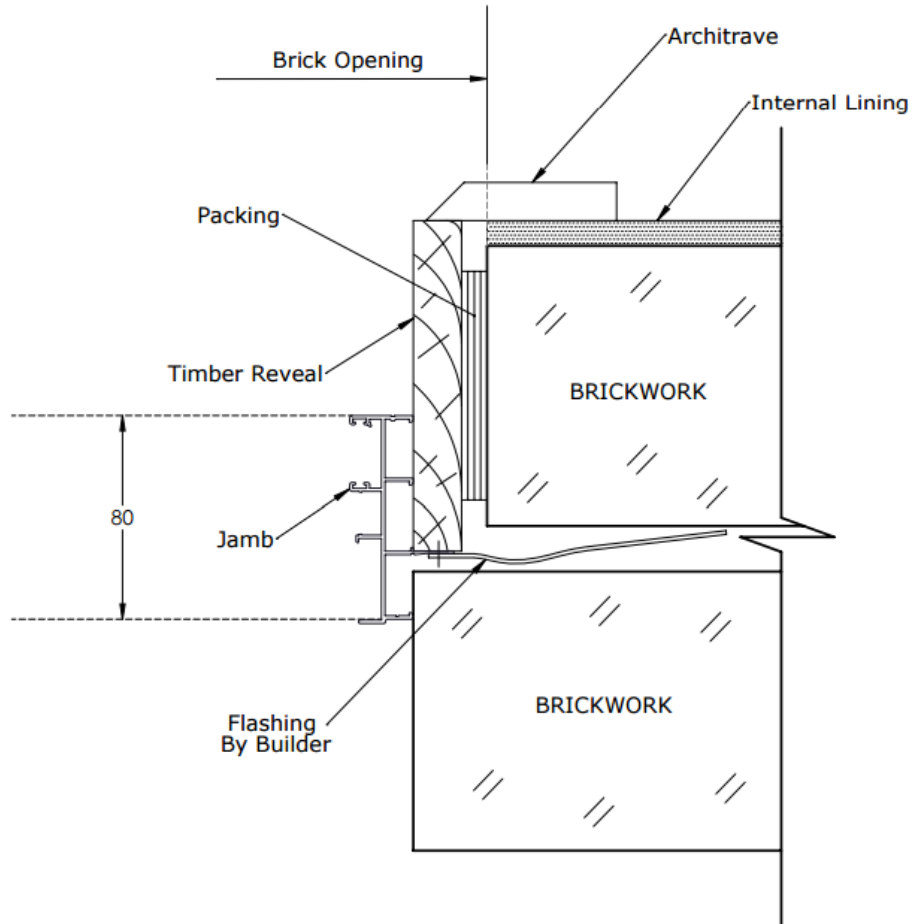
TYPICAL HEAD/SILL DETAIL



IMPORTANT: These instructions are a guide only and will provide you with diagrams installations 100 Series Aluminium Sliding Doors. ASS2047 sets out requirements for installation of windows in buildings. It is the responsibility of the installer to properly adjust windows and doors as per instructions. Also note, the rollers on the sliding panels may also need adjusting (up or down) once the door is installed – also being installer’s responsibility.

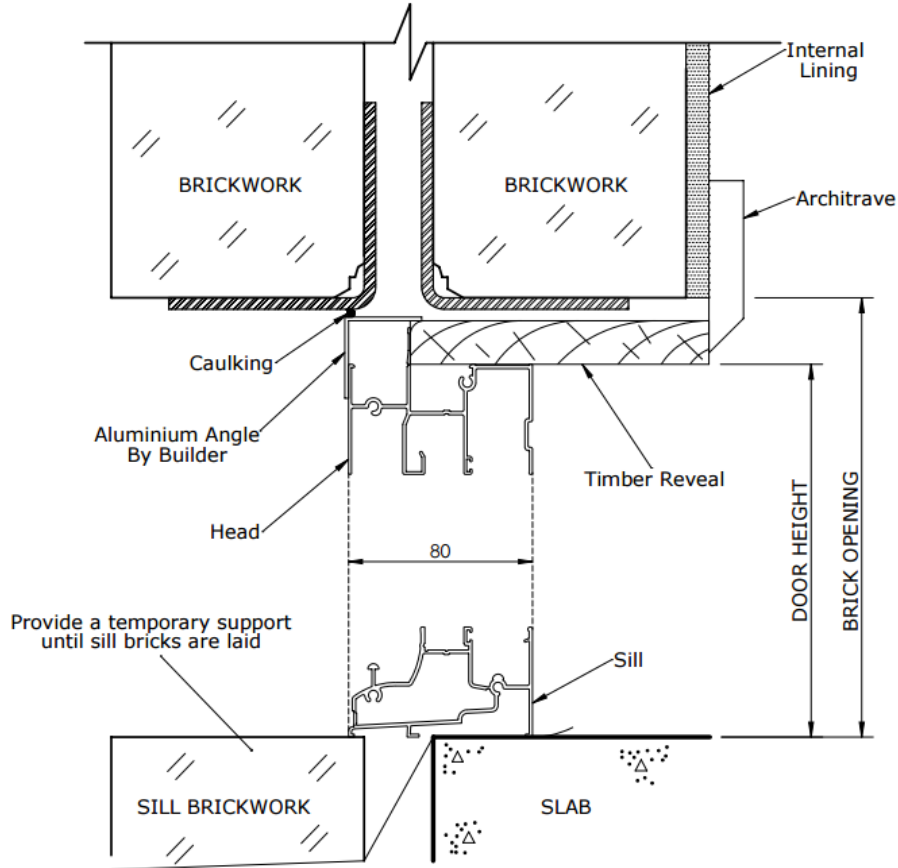
Aluminium Sliding Doors Series 100 Installation Details: Cavity Brickwork

TYPICAL JAMB DETAIL



IMPORTANT: These instructions are a guide only and will provide you with diagrams installations 100 Series Aluminium Sliding Doors. ASS2047 sets out requirements for installation of windows in buildings. It is the responsibility of the installer to properly adjust windows and doors as per instructions. Also note, the rollers on the sliding panels may also need adjusting (up or down) once the door is installed – also being installer’s responsibility.

TYPICAL HEAD/SILL DETAIL (WALL OVER DOOR)



IMPORTANT: These instructions are a guide only and will provide you with diagrams installations 100 Series Aluminium Sliding Doors. ASS2047 sets out requirements for installation of windows in buildings. It is the responsibility of the installer to properly adjust windows and doors as per instructions. Also note, the rollers on the sliding panels may also need adjusting (up or down) once the door is installed – also being installer’s responsibility.